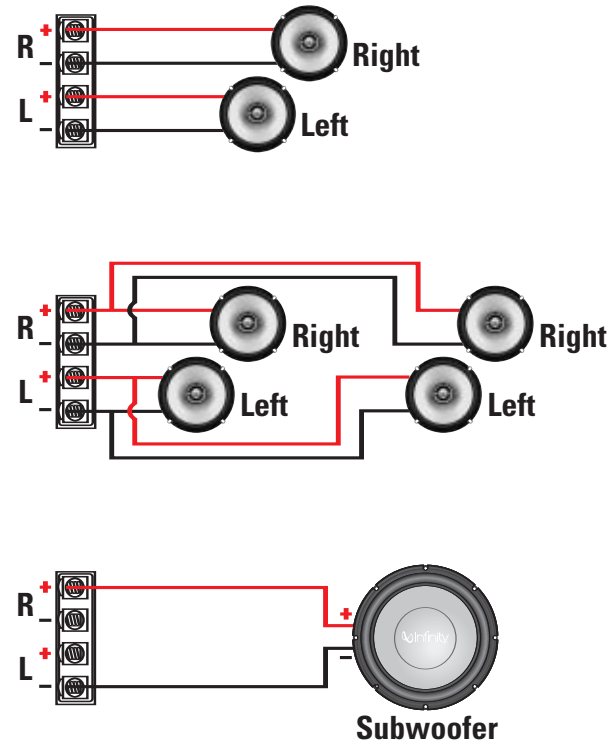


# Amplifier Quick-Start Guide

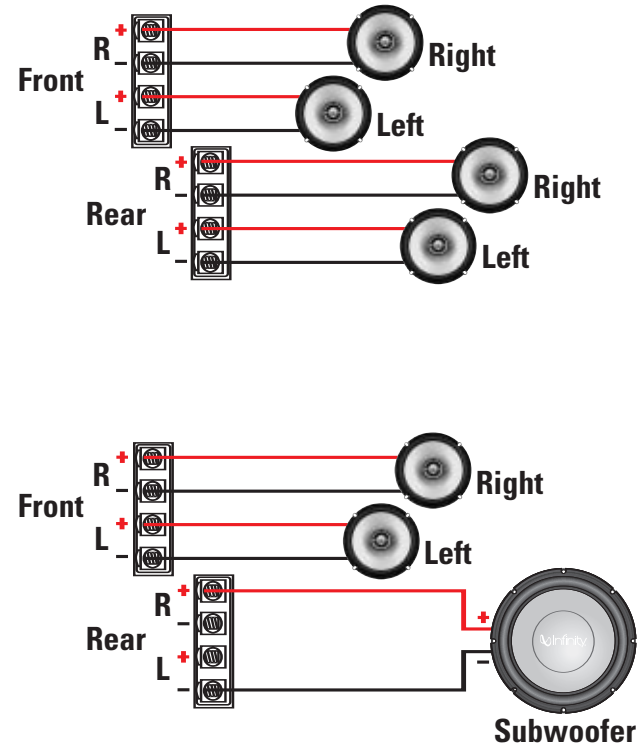
## full-range-amplifier connections



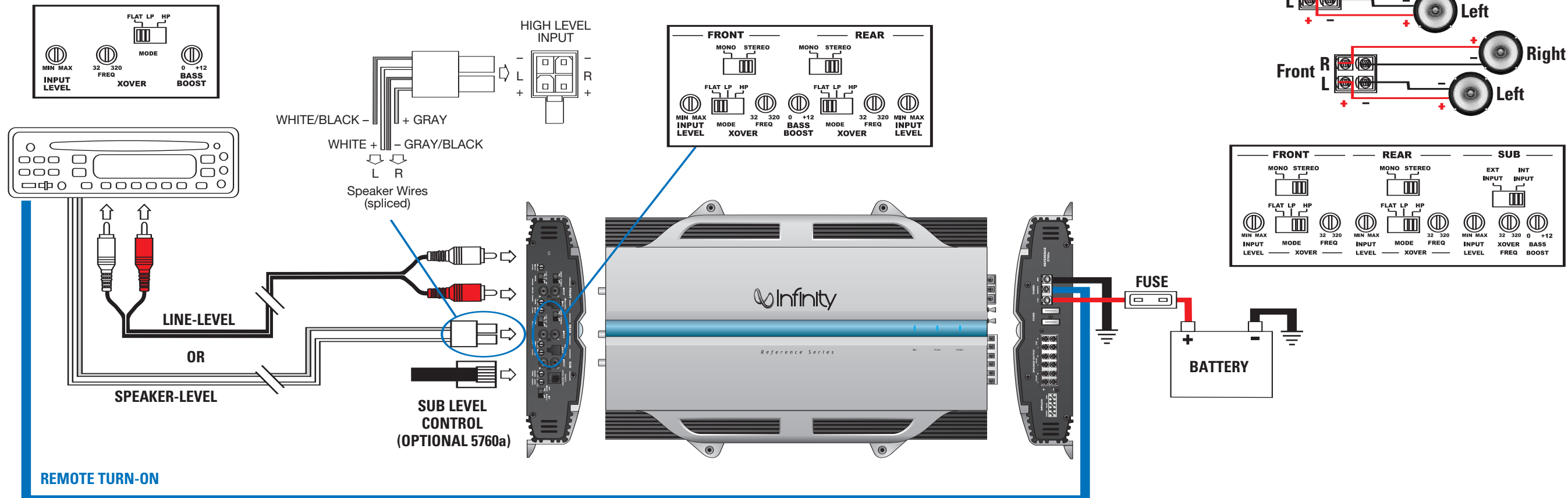
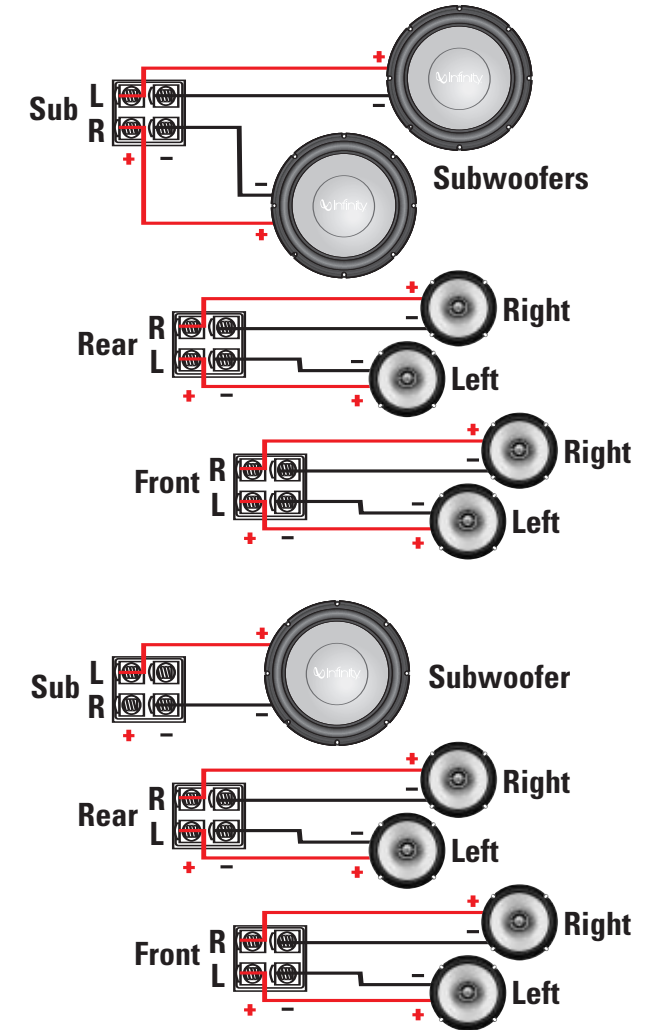
7521a



7541a

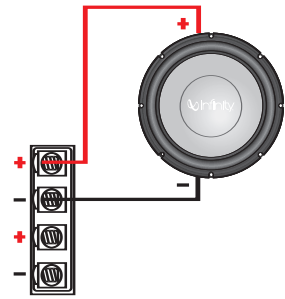


5761a

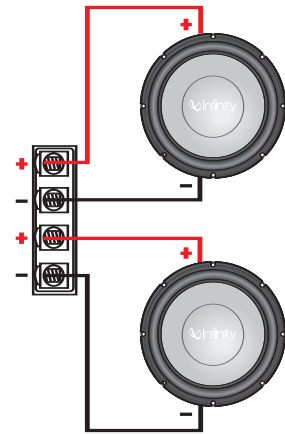


# Amplifier Quick-Start Guide

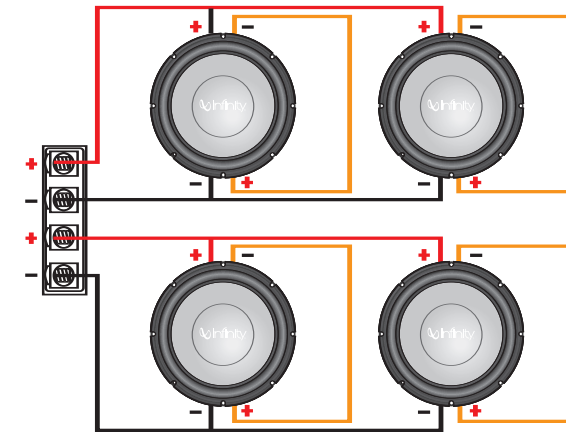
## subwoofer-amplifier connections



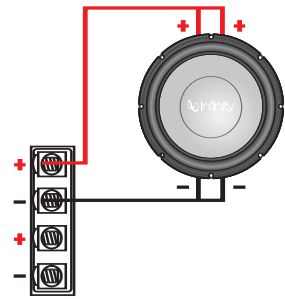
One 4-ohm woofer or one 2-ohm woofer



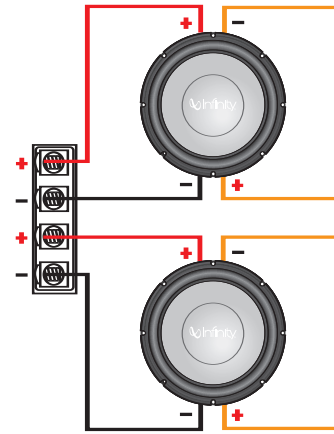
Two 4-ohm woofers = 2-ohm load



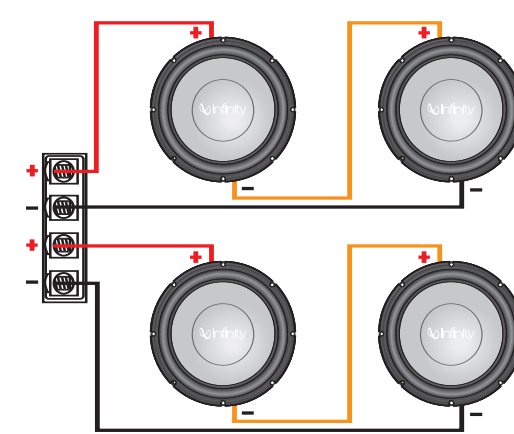
Four 4-ohm DVC woofers = 2-ohm load



One 4-ohm DVC woofer = 2-ohm load

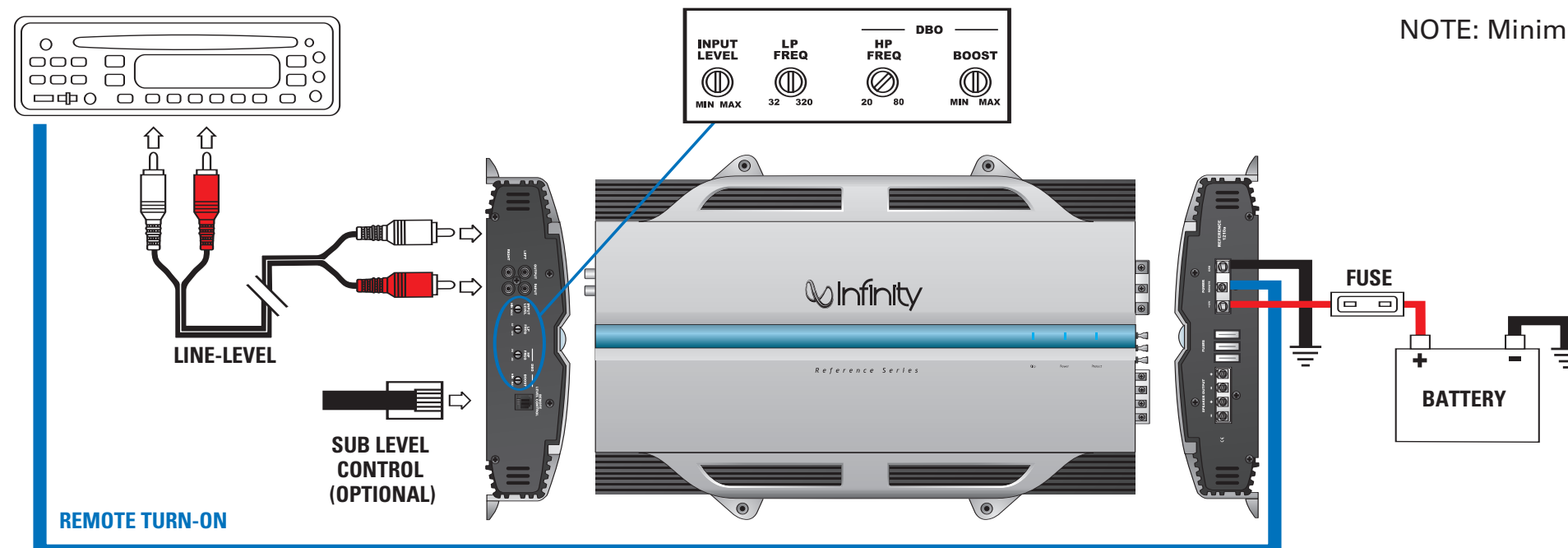


Two 2-ohm DVC woofers = 2-ohm load



Four 2-ohm woofers = 2-ohm load

NOTE: Minimum speaker load is 2 ohms.



Infinity Systems  
 250 Crossways Park Drive, Woodbury, NY 11797 USA  
 516.674.4INF (4463) FAX 516.682.3556  
 www.infinitysystems.com

© 2004 Harman International Industries, Incorporated  
 Part No. INFAMPQSG11/04 • Printed 11/04

H A Harman International Company